

Section EN54 Voice Evacuation Systems

Category EN 54-24 Loudspeakers

Code C7200-EN

References
Safety: Compliant to EN 60065
Emergency: EN 54-24, EN 60849
Application: Indoor environments (Type A)

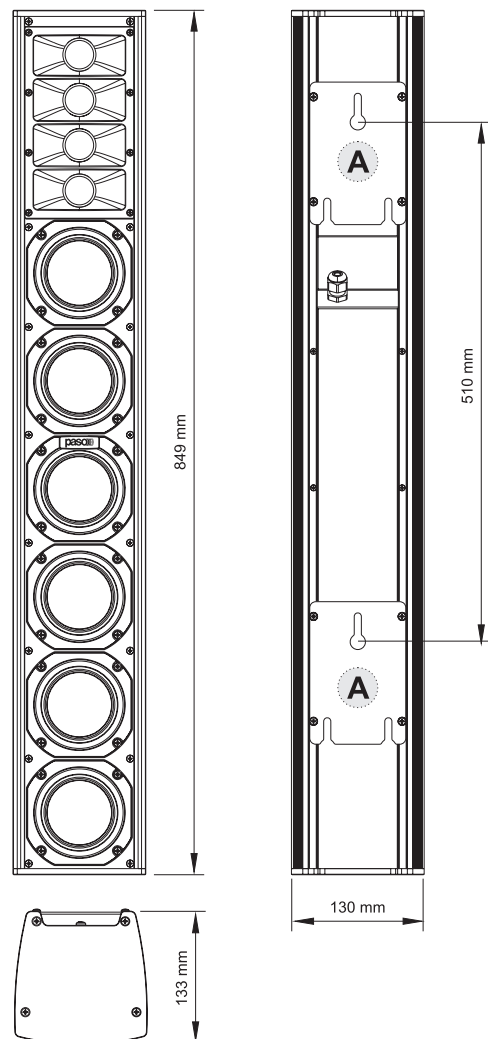
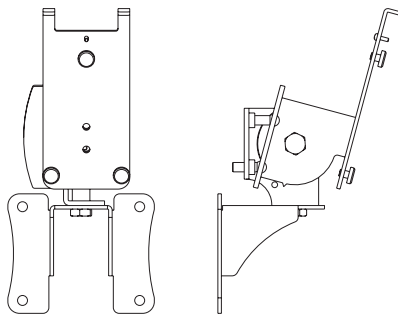
Certificate EN54-24:2008 Nr. 0068/CPR/058-2013

Description 100 W sound column

The **C7200-EN** sound column is extremely compact and elegant, and features a refined and functional design. It has a powder-painted extruded aluminium load-bearing structure, and it's equipped with six 4" woofers and four 1" tweeters. It is ideal for installing in environments subject to reverberation, and the very narrow and elongated shape enables this sound column to fit into any environment in a very discreet manner that is not invasive at all. This column can be configured either in the constant-impedance mode or in the constant voltage mode by means of a line transformer.

The C7200-EN sound column was developed for use in emergency and evacuation systems (VES); a thermal fuse that excludes the loudspeaker in the event of overheating and a flameproof connecting cable (90 cm in length) are included in the supply.

The **AC7200** accessory has to be used for the wall-mounting of the column.



Technical data

C7200-EN



0068

PASO S.p.A Via Settembrini, 34 - 20020 Lainate (MI)

13

0068-CPR-058/2013

EN 54-24

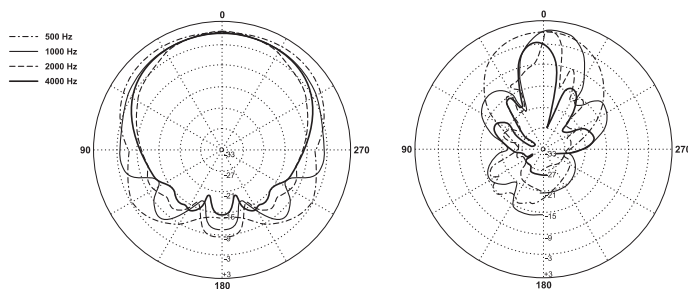
Loudspeaker for voice alarm systems
for fire detection and fire alarm systems for buildings

C7200-EN

Type A

Rated output	100 W (28 V / 8 W)
Rated impedance	8 W (100W)
Nominal impedance (100 V line)	100 W (100W) 200 W (50W)
Sensitivity	91 dB (1W/1m)
Max. sound pressure SPL*	110 dB (100W/1m)
Frequency response	140 ÷ 20.000 Hz (-6 dB)
Low frequency woofer	140 ÷ 20.000 Hz (-6 dB)
High frequency driver	140 ÷ 20.000 Hz (-6 dB)
Horizontal angle of dispersion (-6 dB)	200° (500 Hz) 190° (1 kHz) 120° (2 kHz) 110° (4 kHz)
Vertical angle of dispersion (-6 dB)	70° (500 Hz) 40° (1 kHz) 15° (2 kHz) 30° (4 kHz)
Operating/storage temperature	-25°C ÷ +55°C / -40°C ÷ 70°C
Relative humidity	< 95%
Size	130 x 849 x 133 mm
Weight	8 kg

* Measurement made at the geometric center of the loudspeaker.



Simulated free-field measurements.

